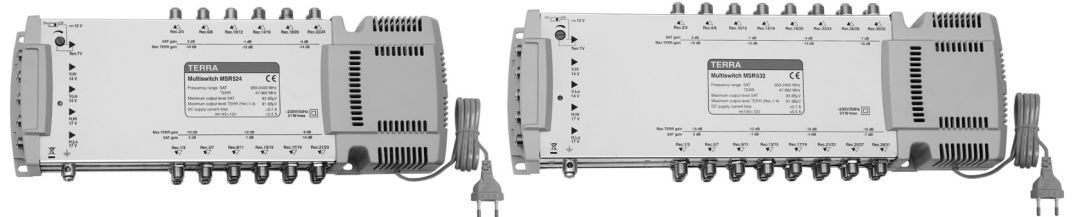




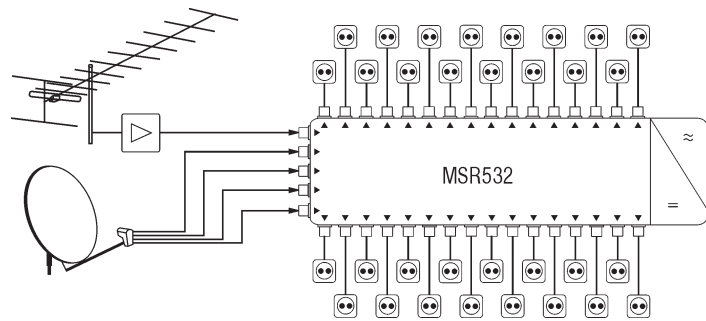
5 cable system Radial multiswitches

- for star distribution system of 4 SAT IF polarities and terrestrial TV signal up to 32 users
- built-in power supply for remote DC feeding
- possibility to feed preamplifier through terrestrial TV input



MSR524
5x24 multiswitch

MSR532
5x32 multiswitch



Technical specifications

T Y P E		MSR524	MSR532	
Ordering number		02708	02709	
Number of outputs		24	32	
Frequency range	SAT IF	950-2400 MHz		
	Terr. TV	47-862 MHz		
Gain (fixed slope pre-correction)	SAT IF	outputs 1-8	1 ÷ 2 dB	
		outputs 9-16	-1 ÷ -1 dB	
		outputs 17-24	-3 ÷ -4 dB	
		outputs 25-32	-	
	Terr. TV adjustable 17 dB	outputs 1-8	-7 ÷ -10 dB	-5 ÷ -7 dB
		outputs 9-16	-8 ÷ -12 dB	
Output level for SAT IF (IMD3=35 dB)		93 dB μ V		
Output level for Terr. TV (DIN45004B)	outputs 1-8	91 dB μ V		
	outputs 9-16	88 dB μ V		
	outputs 17-24	86 dB μ V		
	outputs 25-32	-		
SAT inputs decoupling		> 30 dB		
Outputs decoupling		> 30 dB		
Rejection	Terr. TV/SAT	≥ 30 dB		
	SAT/Terr. TV	≥ 40 dB		
Supply voltage through RF inputs		H/Lo, H/Hi - 17 V; V/Lo, V/Hi - 14 V; Terr. TV - 12 V		
DC supply current through RF inputs	+17V & +14V & +12V	< 0.7 A		
	+14V & +12V	< 0.5 A		
Current consumption from receiver		< 160 mA		
Control signals		14/18 V, 0/22 kHz, tone burst or DiSEqC 2.0		
Power consumption*		230V~ 50Hz 2.5 W		
Operating temperature range		-20° ÷ + 50° C		
Dimensions/Weight (packed)		310x128x53 mm/1 kg	350x128x53 mm/1.2 kg	

* without external DC load; with maximal load 21 W