



Ledinaire floodlight

BVP154 LED21/840 PSU 20W VWB MDU CE

LED Module 2000 lm - 840 neutral white - Power supply unit - Very wide beam angle 100° - Movement detection unit

The Ledinaire range contains a selection of popular off-the-shelf LED luminaires that comes with the Philips high quality levels at a competitive price. Reliable, energy-efficient and affordable – just what you need.

Product data

General Information	
Lamp family code	LED20 [LED Module 2000 lm]
Light source color	840 neutral white
Light source replaceable	No
Number of gear units	-
Driver/power unit/transformer	Power supply unit
Driver included	Yes
Optical cover/lens type	Clear glass
Luminaire light beam spread	100°
Embedded control	Movement detection unit
Control interface	-
Connection	Flying leads/wires
Cable	Cable 1.0 m without plug
Protection class IEC	Safety class I
Flammability mark	-
CE mark	CE mark
ENEC mark	-
Warranty period	3 years
Optic type outdoor	Very wide beam angle 100°
Constant light output	No

Number of products on MCB of 16 A type B	110
RoHS mark	RoHS mark
Light source engine type	LED

Light Technical	
Upward light output ratio	0
Standard tilt angle posttop	0°
Standard tilt angle side entry	0°

Operating and Electrical	
Input Voltage	220 to 240 V
Input Frequency	50 or 60 Hz
Initial CLO power consumption	- W
Average CLO power consumption	- W
End CLO power consumption	- W
Inrush current	0.64 A
Inrush time	0.0069 ms
Power Factor (Min)	0.8

Ledinaire floodlight

Controls and Dimming

Dimmable	No
----------	----

Mechanical and Housing

Housing Material	Aluminum die cast
Reflector material	Polycarbonate
Optic material	Polycarbonate
Optical cover/lens material	Glass
Fixation material	Steel
Mounting device	Mounting bracket adjustable
Optical cover/lens shape	Flat
Optical cover/lens finish	Clear
Overall length	150 mm
Overall width	35 mm
Overall height	160 mm
Effective projected area	0.018 m ²
Color	Aluminum and gray

Approval and Application

Ingress protection code	IP65 [Dust penetration-protected, jet-proof]
Mech. impact protection code	IK07 [2 J reinforced]
Surge Protection (Common/Differential)	Surge protection level until 2 kV

Initial Performance (IEC Compliant)

Initial luminous flux (system flux)	2100 lm
Luminous flux tolerance	+/-10%
Initial LED luminaire efficacy	105 lm/W
Init. Corr. Color Temperature	4000 K

Init. Color Rendering Index	80
Initial chromaticity	<7 SDCM
Initial input power	20 W
Power consumption tolerance	+/-10%

Over Time Performance (IEC Compliant)

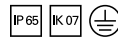
Control gear failure rate at median useful life 50000 h	10 %
Useful life L80B10	32000 h
Lumen maintenance at median useful life* 50000 h	L70

Application Conditions

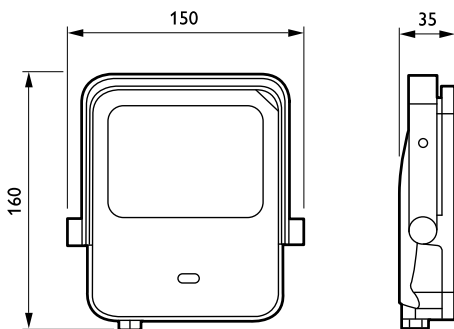
Ambient temperature range	-25 to +40 °C
Maximum dim level	Not applicable

Product Data

Full product code	871016333134899
Order product name	BVP154 LED21/840 PSU 20W VWB MDU CE
EAN/UPC - Product	8710163331348
Order code	911401733362
Numerator - Quantity Per Pack	1
Numerator - Packs per outer box	18
Material Nr. (12NC)	911401733362
Net Weight (Piece)	0.490 kg



Dimensional drawing



Ledinaire floodlight BVP105/106

Ledinaire floodlight

